

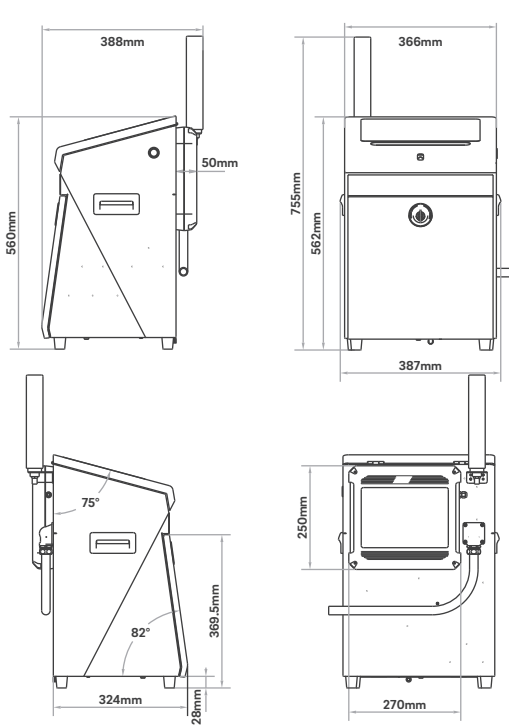


Continuous Inkjet Printer  
**FASTJET F600 Series**

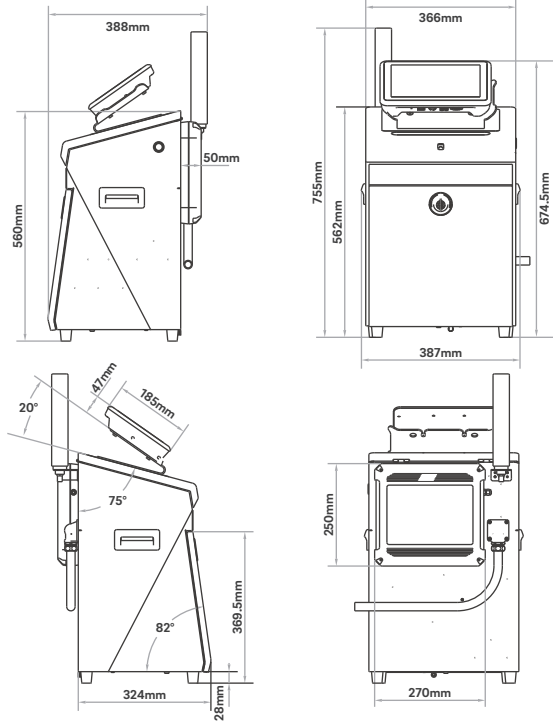
Make coding & Marking  
**simpler and more efficient**

**FASTJET**

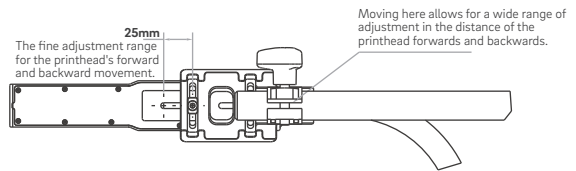
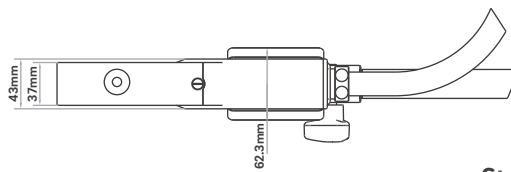
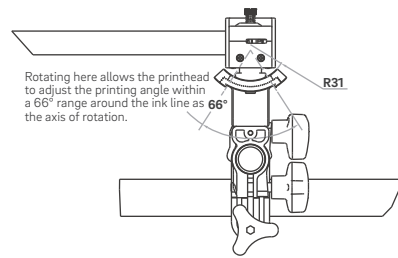
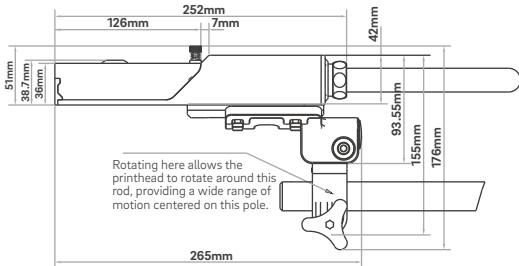
# Dimensions



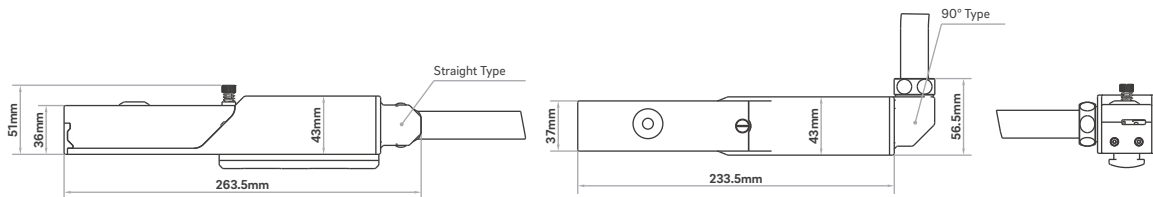
**F640 series.**



**F660 series.**



**Standard Printhead**



**Optional Printhead**

**About FASTJET:**

Cyklop Fastjet Technologies (Shanghai) Inc. was established in 2002. It's a Sino-German joint venture specializing in the manufacturing of industrial coding and marking equipment and providing solutions. Recognized as a high-tech enterprise and a technology giant in Shanghai, the company's products, including laser marking machines, small character inkjet printers, and other coding and marking devices, are exported to more than 40 countries and regions, enjoying a high level of trust from global customers.

Website: [www.scsmarking.com](http://www.scsmarking.com)

E-mail: [alexanderlenn@scsmarking.com](mailto:alexanderlenn@scsmarking.com)

Product specifications and other details are subject to updates without further notice.

Please refer to the updated product information for the latest details.

Version Number: EF60024001

## Specifications

<b>Model number</b>	F640	F660
<b>Screen size/type</b>	10-inch color touchscreen	
<b>Nozzle</b>	60u 70u	40u 50u 60u 70u
<b>Printing distance</b>	5mm~40mm	3mm-10mm(40u) 5mm-25mm(50u) 5mm-40mm(60/70u)
<b>Printing mode</b>	Standard, High Quality, High Speed	
<b>Printing lines</b>	4 lines (7*5)	
<b>Printing fonts</b>	5x5, 6x5, 7x4, 7x5, 9x6, 9x6 bold, 11x8, 11x8 bold, 16x11, 24x17, 32x22	
<b>Printing content</b>	Numbers, characters, QR codes, barcodes, shifts, patterns	
<b>Information editing</b>	WYSIWYG	
<b>Data interface</b>	RS232, RS485, TCP/IP, USB	
<b>Electrical requirements</b>	Power supply: AC 100V – 240V, 50 / 60Hz	
<b>Working environment</b>	0~50°C, 90% humidity non-condensing (using selected ink; adjustments may be needed according to the production environment, actual installation may require additional hardware).	
<b>Protection level</b>	IP55	
<b>Ink cartridge/ solvent cartridge capacity</b>	750ml	
<b>Compatible ink</b>	Dye	Dye, Light pigment

\*:The information and images published in this product manual may have slight differences from the actual product due to configuration changes, product updates, etc. Additionally, parameter data is based on laboratory constant testing conditions, which may differ from user field conditions, resulting in variations. Please refer to actual usage for accuracy.

# FASTJET F600 Series Continuous Inkjet Printer



F660 Series

**FASTJET F600** series continuous inkjet printer inkjet integrates Cyklop FASTJET's years of CIJ technology, aiming to bring you excellent marking experience and effective cost management. Whether in humid and high-temperature processing workshops, or even a dry and cold harsh environments, the excellent stability of F600 series will provide you with consistent printing quality assurance as always.



F640 Series



F640 Series



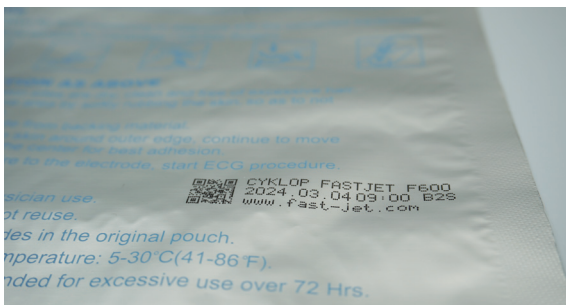
F660 Series



▲ Beverages



▲ Daily Chemicals



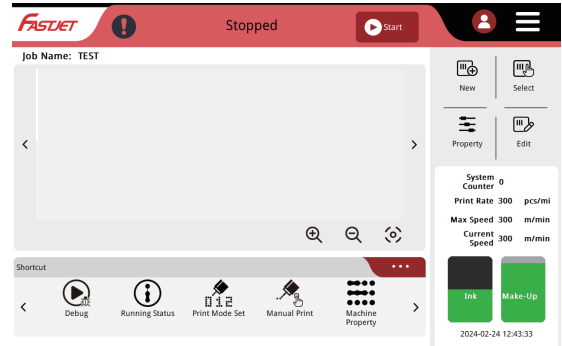
▲ Food



▲ Cables

## Customizable Large Touchscreen

A 10-inch color touchscreen that allows you to customize interface shortcuts! No worry about learning how to operate; **within 15 minutes, you'll learn and easily master several key operating functions, making it quick to grasp and convenient for efficient use.**



## Low Maintenance Frequency

Our product design is aimed at **reducing the frequency of routine maintenance**, allowing you to focus more on your work rather than on equipment upkeep.



## Excellent Printing Quality

Whether you need to handle characters or various types of barcodes/QR codes, the F600 delivers outstanding printing quality, helping your brand succeed.

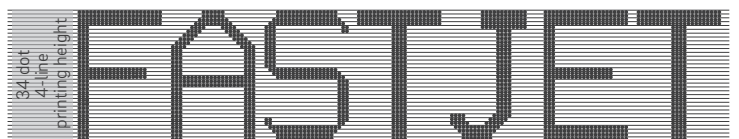


## Ultra-wide Printing Range

**With its inherent 34-dot, 4-line printing height**, effortlessly handle the design of various template contents.

\*Optional **40mm** printing distance eliminates concerns about uneven surfaces of various products.

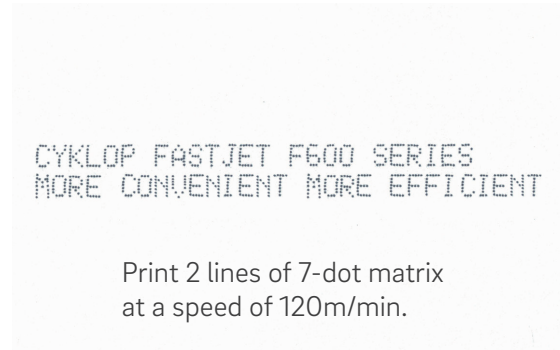
\*Needs high-quality printing format.



Display of print height in image forma

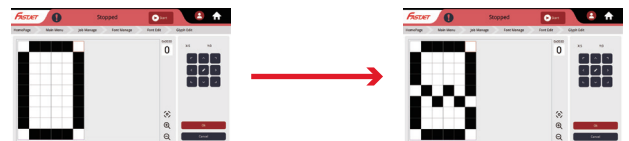
## High-Speed Printing Capability

Whether you need to print single or multiple lines of information, optional **high-speed** printing formats help improve your production line efficiency.



## Custom Font Library

Design your preferred styles of numeric and English characters using our free **"font creation"** tool according to your preferences, and seamlessly integrate them into your inkjet printer.



## Unafraid of Extremes

With an operating temperature range of **0 to 50 degrees Celsius**, our product maintains stable performance, ensuring smooth operation regardless of the environmental conditions.



## High Cost-Performance Ratio

We prioritize cost-effectiveness, presenting you with high-quality products while helping you establish a manageable Total Cost of Ownership (TCO) plan.

